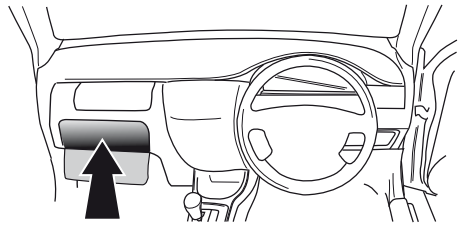
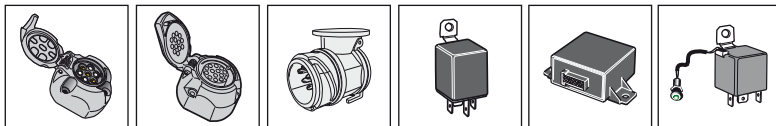


! INFO !

Do not charge the battery of the towing vehicle and/or towed vehicle directly via the socket.



User guide



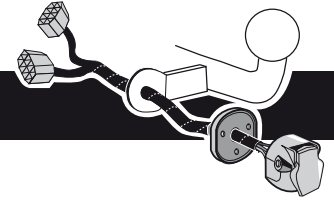
SPARE PARTS

www.ecs-electronicsuk.co.uk



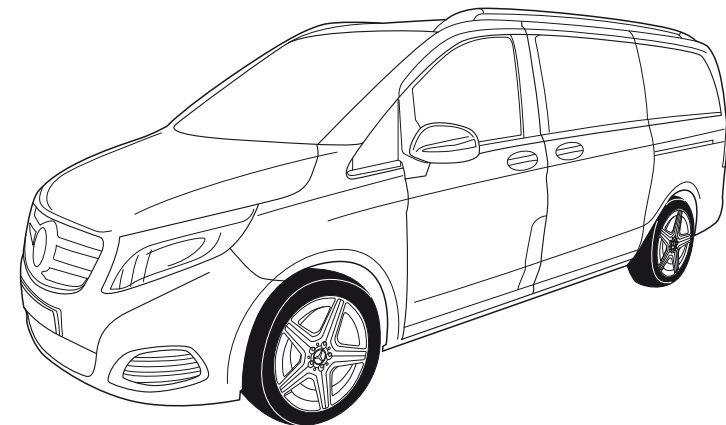
Partnr.: MB-081-B1U

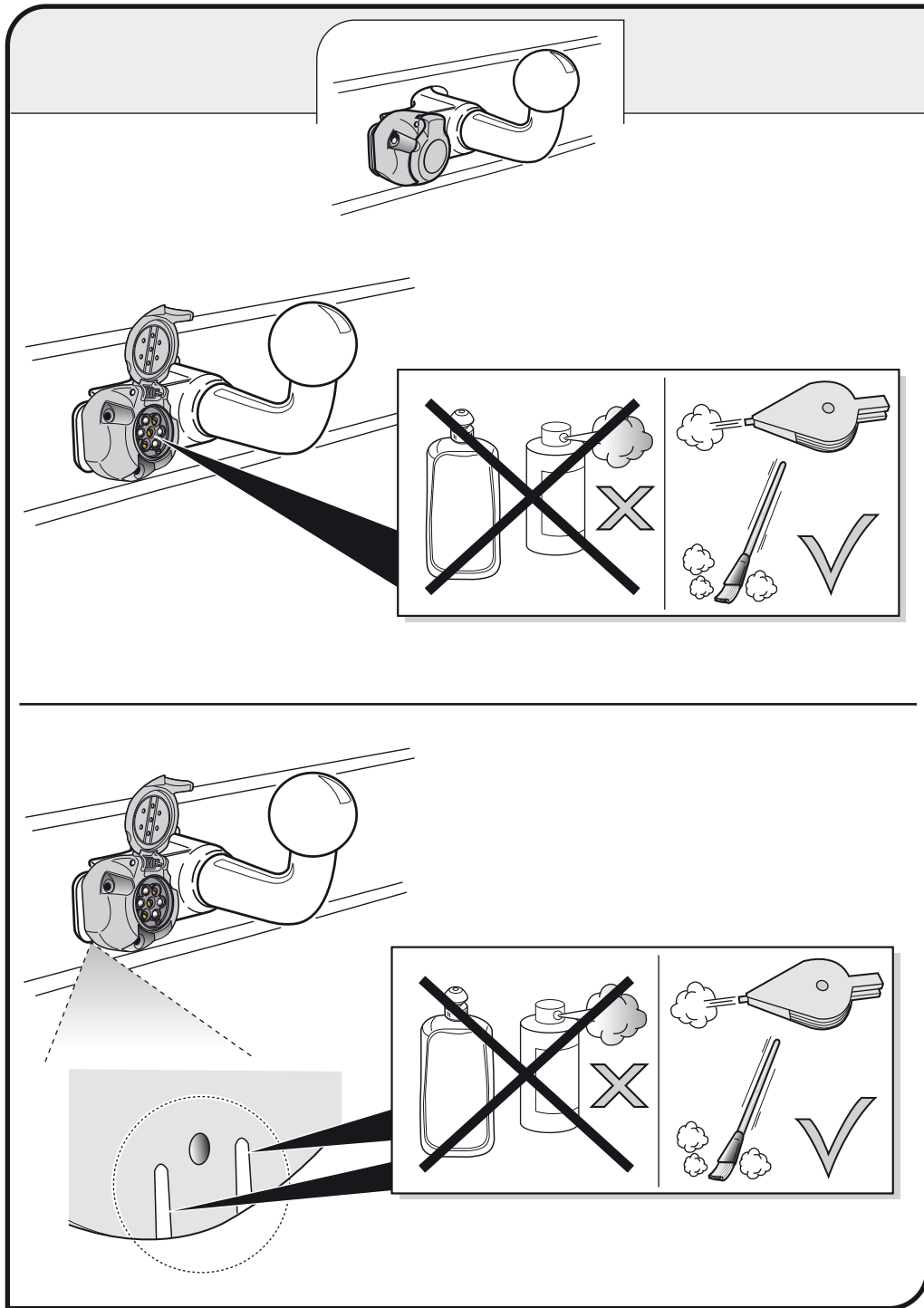
User Guide

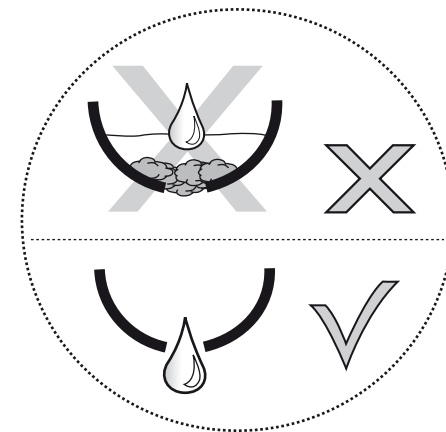
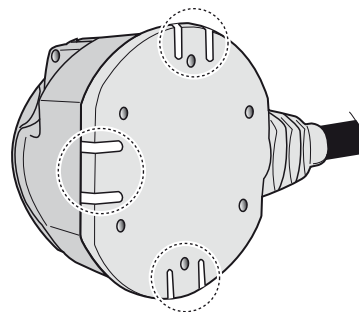
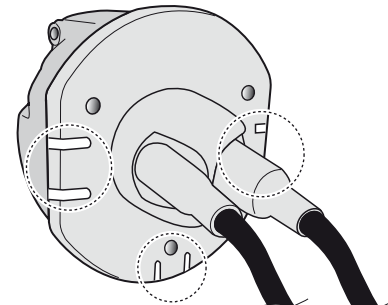
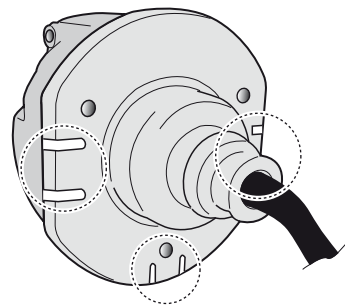
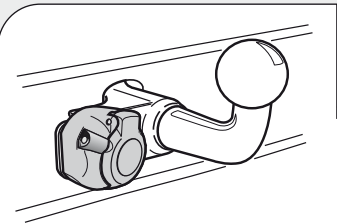


Mercedes Benz

V-Class W447	06/2014 >> 04/2024
V-Class EQV W447	10/2020 >> 04/2024
Vito W447	11/2014 >> 04/2024
eVito W447	2019 >> 04/2024
eVito Tourer W447	2019 >> 04/2024

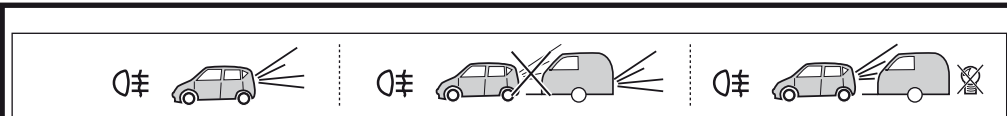




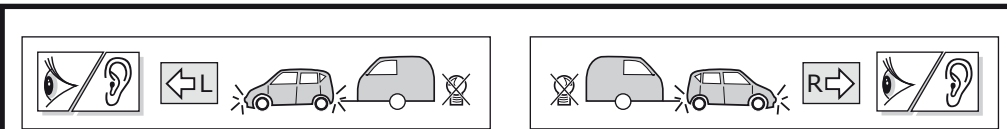


SOCKET CONNECTION

DIN/ISO 1724							
	1/L	2	3/31	4/R	5/58-R	6/54	7/58-L
Pmax	21W	2x21W		21W	52W	3x21W	52W
Colour	Yellow	Blue	White	Green	Brown	Red	Black



In a coupled trailer with working fog lamp, the fog lamp of the vehicle will be switched off, if applicable.



The flashing lights on the trailer are monitored. If one of the indicators of the trailer breaks down, a buzzer will be audible and/or a visual signal will be visible on the dashboard. Check the flashing lights on the trailer.

CHANGING THE FUSE

